

Dimensions shown above. Recommend: Build to suit cushions

Preparation

SHOPPING LIST

- 11 - 2x4x10' (prefer cedar boards)
- 3 - Deep Seat Cushions, 24" x 24" x 4-5" deep, with matching pillows
([https://goto.target.com/c/2773249/81938/2092?
subid1=52e41fac28963d1e058a1060&subid2=https%3A%2F%2Fwww.ana-](https://goto.target.com/c/2773249/81938/2092?subid1=52e41fac28963d1e058a1060&subid2=https%3A%2F%2Fwww.ana-)

white.com%2Fwoodworking-projects%2F2x4-outdoor-sofa&sharedid=Ana%20White&subid3=https%3A%2F%2Fwww.target.com%2Fp%2Fdeep-seat-outdoor-cushion-set-arden-selections%2F-%2FA-79491189%3Fpreselect%3D76155756&u=https%3A%2F%2Fwww.target.com%2Fp%2Fdeep-seat-outdoor-cushion-set-arden-selections%2F-%2FA-79491189%3Fpreselect%3D76155756#donotlink)

- 150 - 2-1/2" to 3" long, self-tapping exterior decking screws (#8, #9 or #10 will all work)

CUT LIST

RECOMMEND: Build to suit cushions.

9 - 2x4 @ 72" (or cushion width x *times* 3)

13 - 2x4 @ 25-1/2" (or cushion depth *plus* 1-1/2")

2 - 2x4 @ 28-1/2" (or cushion depth *plus* 4-1/2")

TOOLS



Tape Measure



Speed Square



Pencil



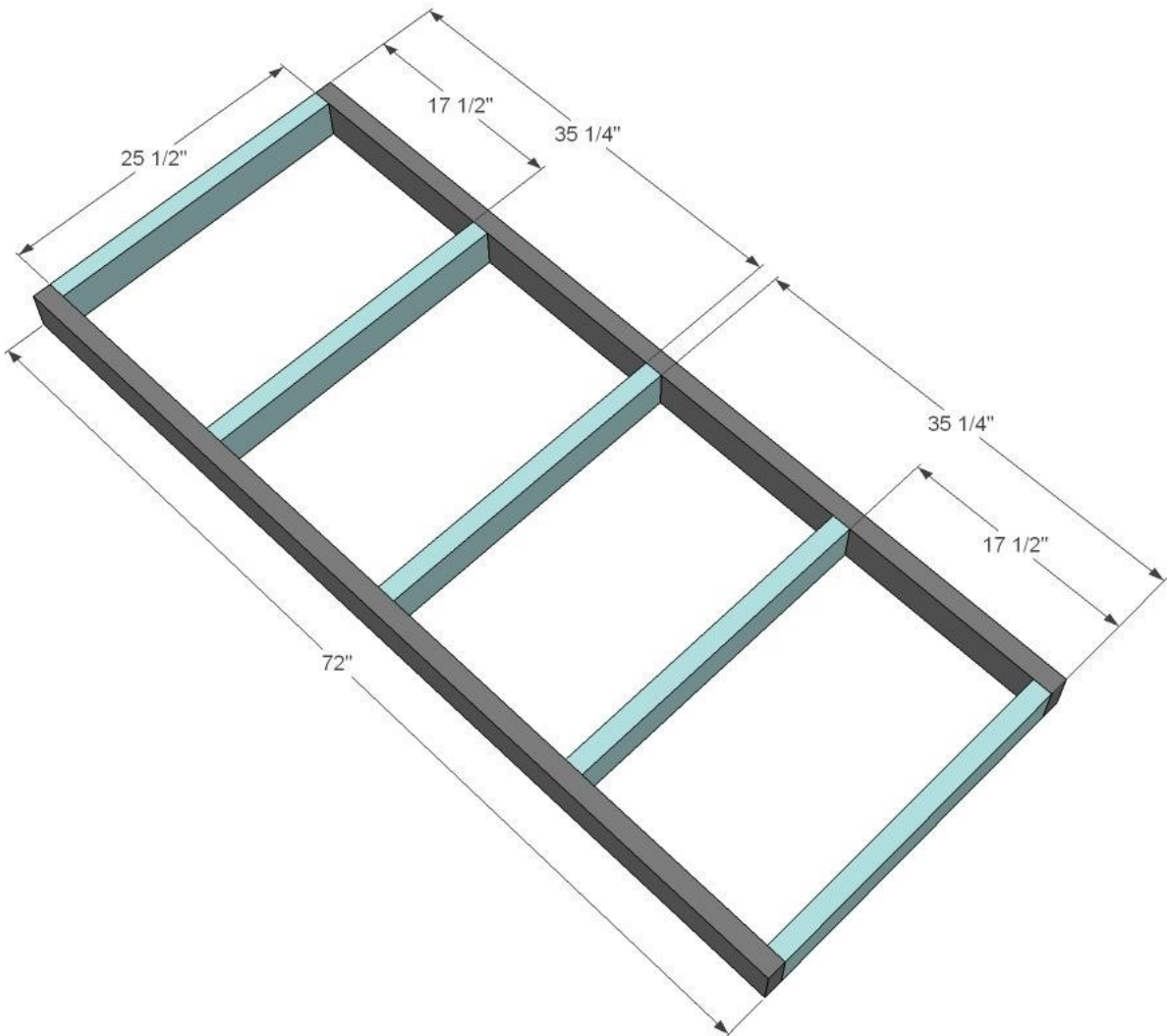
Drill



Miter Saw

Instructions

STEP 1

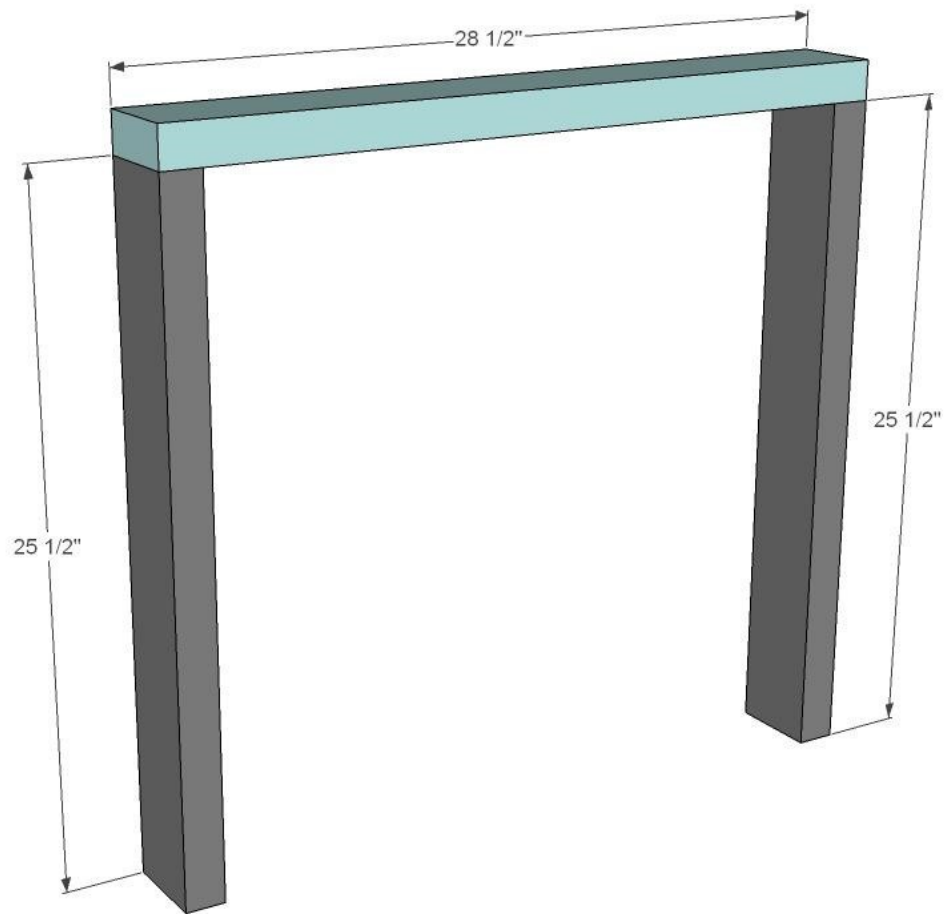


(/sites/default/files/ana%20white%20outdoor%20sofa%20step%201.jpg)

Cut the seat framing boards with compound miter saw or similar.

Screw together with self tapping screws.

STEP 2



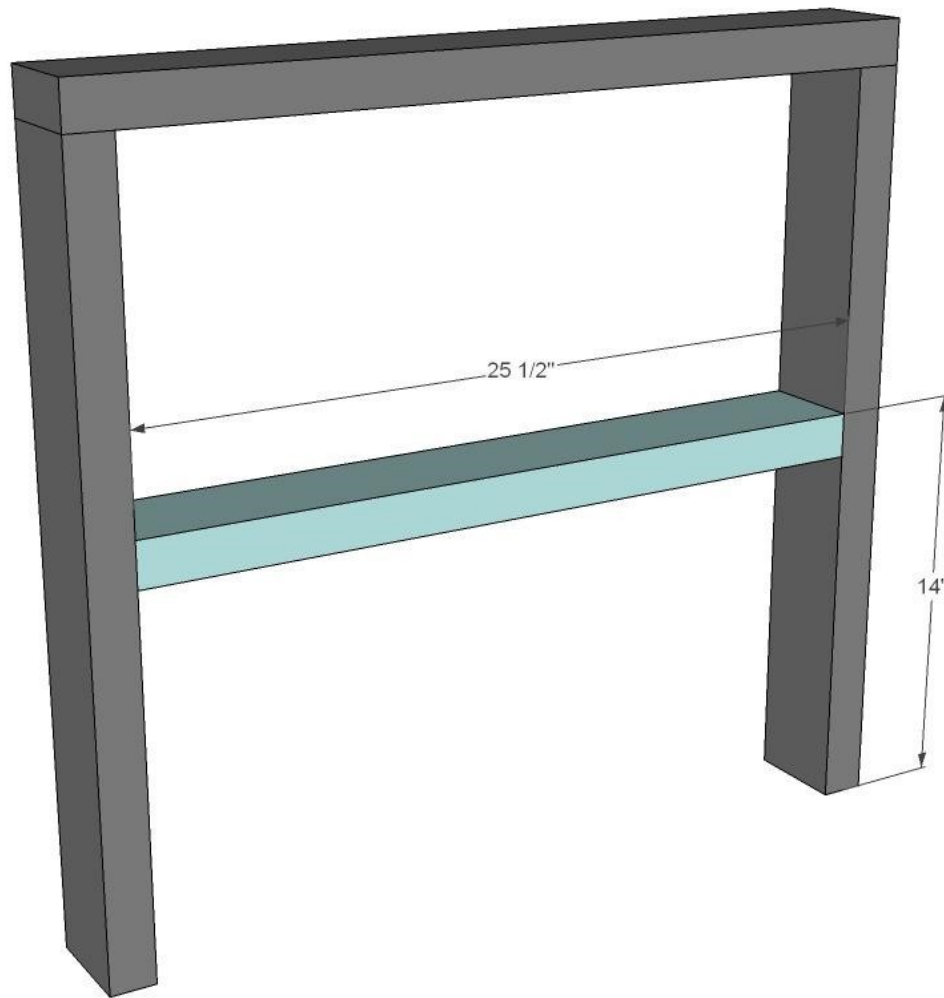
(/sites/default/files/ana%20white%20outdoor%20sofa%20step%202.jpg)

Now for the arms.

Cut the boards.

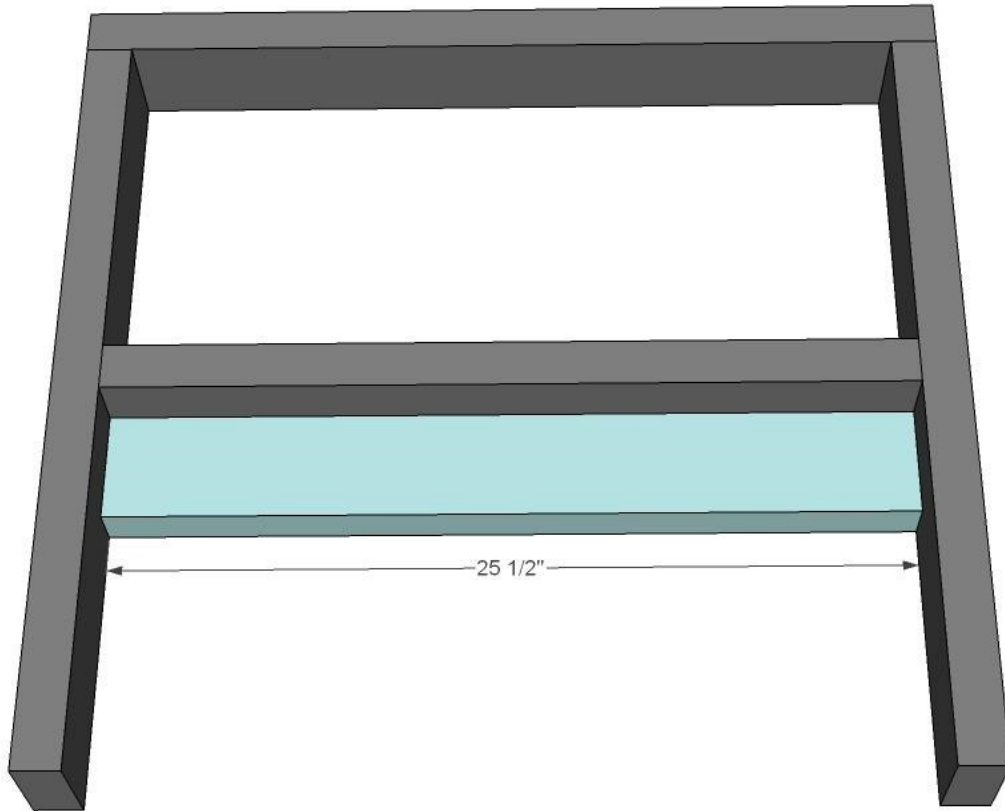
Attach longer 2x4 to two of the shorter 2x4s with screws.

STEP 3



(/sites/default/files/ana%20white%20outdoor%20sofa%20step%203.jpg)
Screw together with screws.

STEP 4



(/sites/default/files/ana%20white%20outdoor%20sofa%20step%204.jpg)
Screw together with screws, also attach to board from step 3.

STEP 5



(/sites/default/files/ana%20white%20outdoor%20sofa%20step%205.jpg)

STEP 6



(/sites/default/files/ana%20white%20outdoor%20sofa%20step%206.jpg)
Attach seat boards to top of seat frame with 2-3/4" screws.

STEP 7



(/sites/default/files/ana%20white%20outdoor%20sofa%20step%207.jpg)

Screw back piece at an angle into the arms with 2-3/4" screws. You can also use pocket holes.